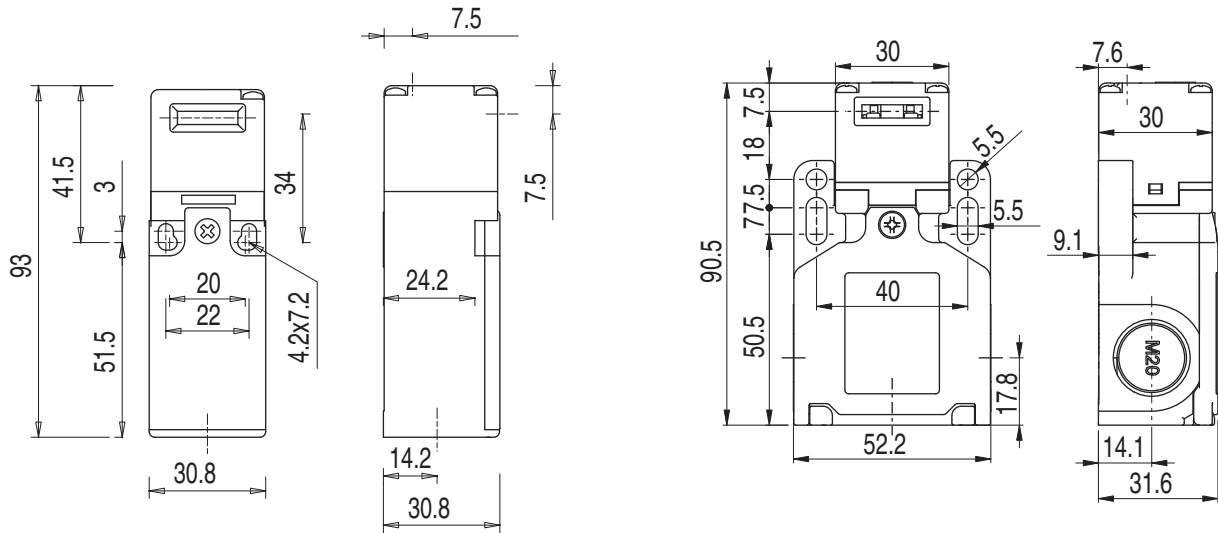


Dimensional drawings

Safety Switches



Safety Switches S20-P3C1-M20-FH, S20-P4C1-M20-FH

Safety Switches S20-P1C3-M20-LH, S20-P4C3-M20-LH

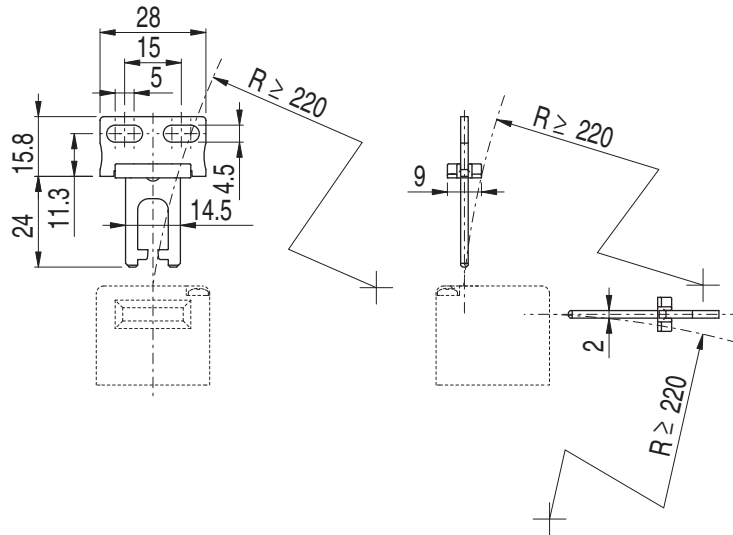
Dimensions in mm

Our 3D CAD models can be found under: www.leuze.com/3d-cad-models.

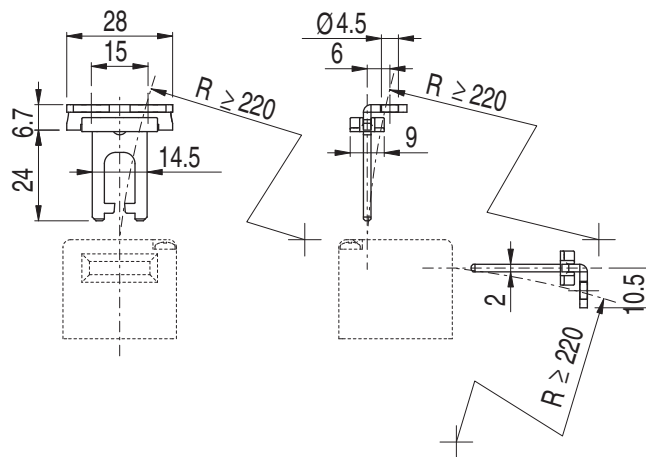
SAFETY SWITCHES

Dimensional drawings: Accessories

Actuator



Actuator AC-AN-S



Actuator AC-AN-A

Dimensions in mm

S20
p. 354

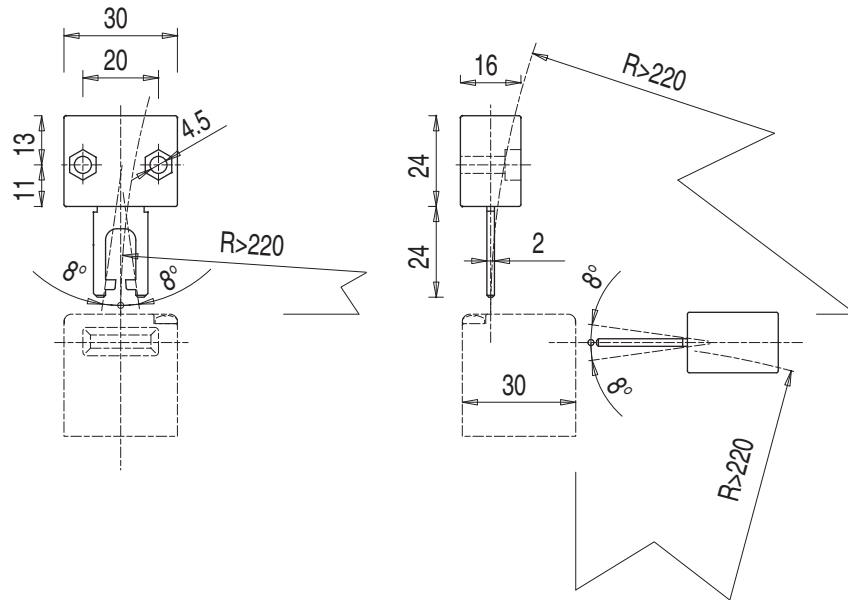
S200
p. 366

S300
p. 376

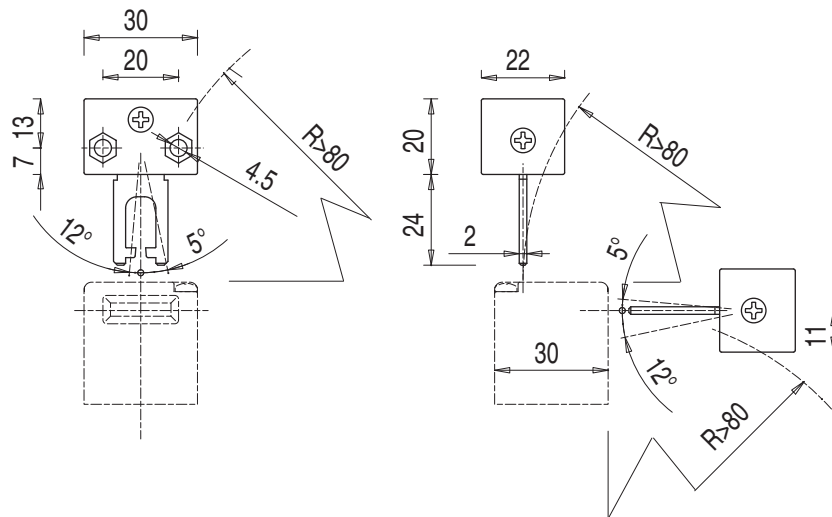
S400, S410
p. 382

Dimensional drawings: Accessories

Actuator



Actuator AC-AN-F4



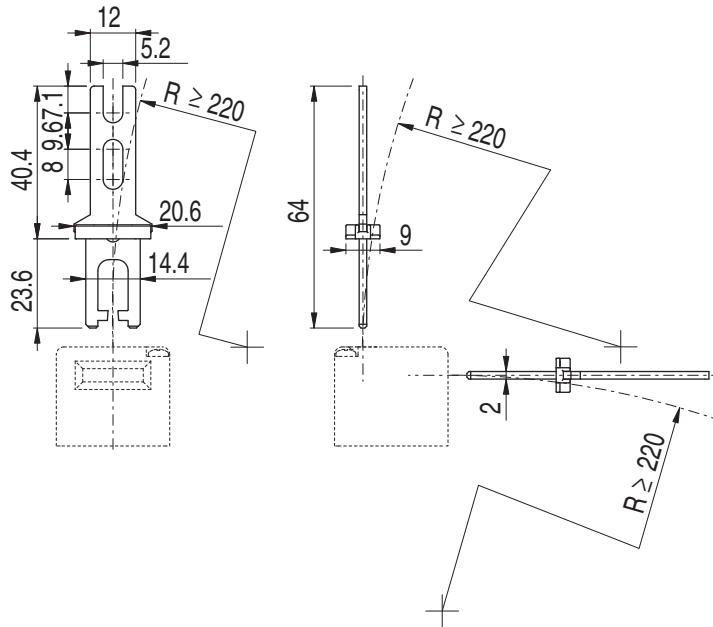
Actuator AC-AN-F2J2

Dimensions in mm

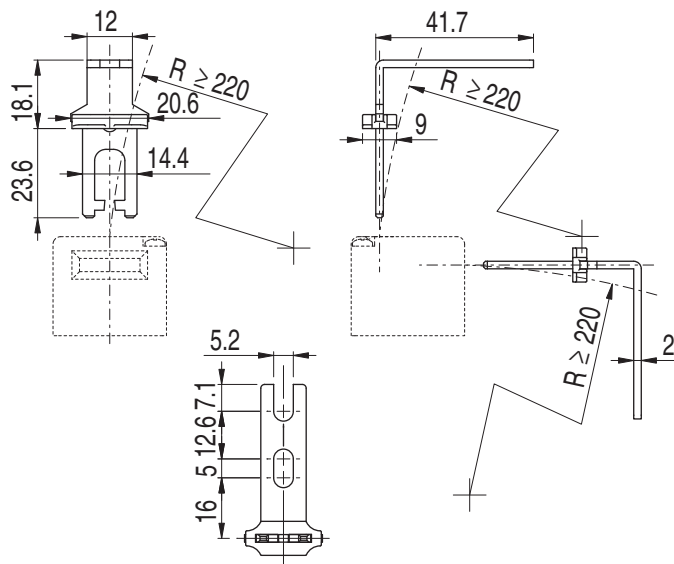
SAFETY SWITCHES

Dimensional drawings: Accessories

Actuator



Actuator AC-AN-SL



Actuator AC-AN-AL

Dimensions in mm

S20
p. 354

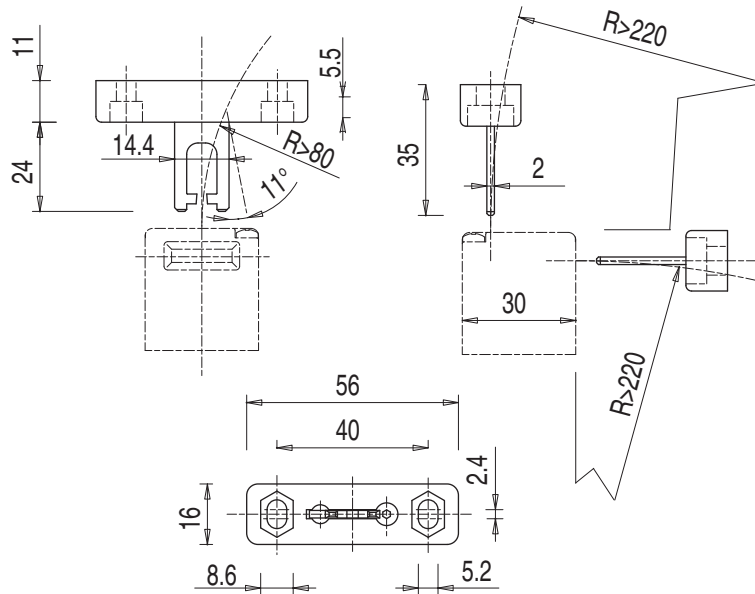
S200
p. 366

S300
p. 376

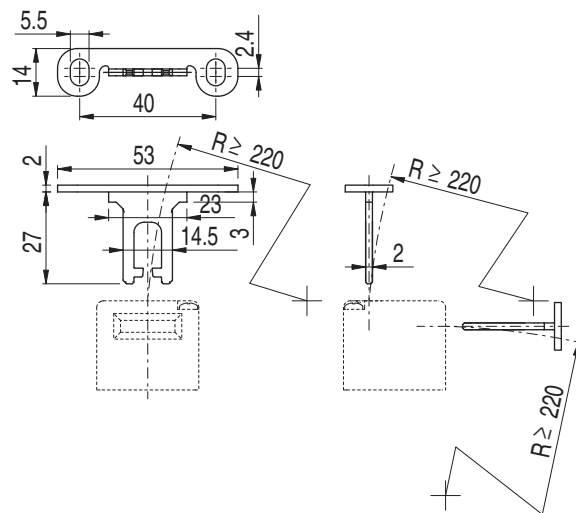
S400, S410
p. 382

Dimensional drawings: Accessories

Actuator



Actuator AC-AN-F1J2



Actuator AC-AN-ASH

Dimensions in mm

www.leuze.com/s20/